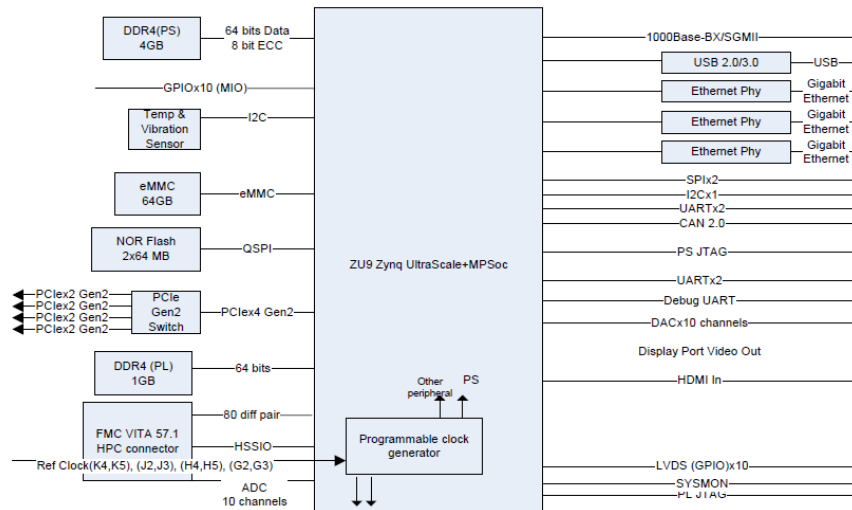


3U-VPX Based Processor Card (ICS-3U01FDV2)

DESCRIPTION:

Xilinx MPSoC based 3U VPX SBC model: ICS-3U01FDV2 Zynq® UltraScale+ MPSoCs combine the Arm® v8-based Cortex®-A53 high-performance energy-efficient 64-bit application processor with the Arm Cortex-R5F real-time processor and the UltraScale architecture to create the industry's first programmable MPSoCs, provide power savings, heterogeneous processing, and programmable acceleration. The Zynq® UltraScale+™ MPSoC is based on the Xilinx® UltraScale™ MPSoC architecture. This product integrates 64-bit quad-core or dual-core Arm® Cortex®-A53 and dual-core Arm Cortex-R5F based Processing System (PS) and Xilinx Programmable Logic (PL) UltraScale architecture in a single device .



FEATURES:

- Xilinx ultra-scale+ XCZU9EG (XQZU15EG) MPSoC FPGA
- 4GB of RAM on PS; 1GB of RAM on PL
- 64 GB of eMMC; 128 MB QSPI Flash
- OS support: Petalinux with Preempt_RT patch or Petalinux with RTOS features,
- AMP booting optional
- VITA 48.2-3U size
- Form-factor: 3U
- 1000 Base-Bx/SGMII ; USB2.0/3.0; CAN2.0; RS232/422
- Video Display port 1.2
- 100 MHz clock
- MIL-STD 31032B
- VPX connector

SPECIFICATIONS:

- Processor : Xilinx ultra-scale+
- RAM Memory : 4GB
- Flash : 64 GB of eMMC; 128Mbyte Quad-SPI
- Operating system : Petalinux with RTOS
- Ports : Display Port 1.2 Video Out
HDMI IN (Optional)
Gigabit Ethernet
1000 Base-Bx/SGMII
USB 2.0/3.0x2
- Operating temperature : -40°C to +85°C
- Form Factor (Size) : 19" 3U, VITA 48.2
- MIL Standards : MIL 810, MIL 461 & MIL 406

INNOVATION COMMUNICATIONS SYSTEM LTD,

Survey No: 185, Door No: 1-55/11/KJ, Kalajyothi Bldg, Ground Floor, Masjid Banda, Kondapur, RR Dist
Hyderabad – 500 084 , Contact: 040-6785 5555